

# Wire Saddle

Nylon 66, 8.2 mm



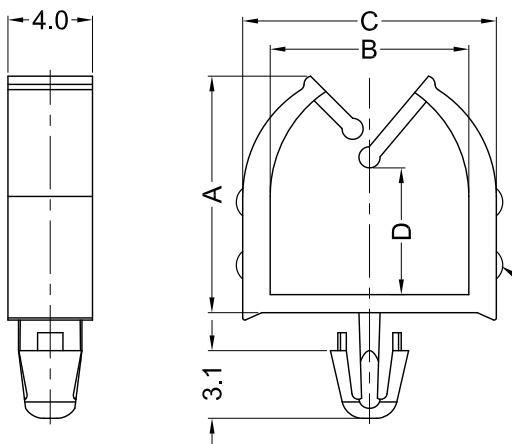
## FEATURES:

Durable

Arrowhead mount

## SPECIFICATION:

Material	Nylon 66
Colour	Natural
Affixing Method	Snap Lock
A	9.1 mm
B	8.2 mm
C	10.8 mm
D	3.9 mm
Hole Diameter	3±0.05 mm
Panel Thickness	1.6 mm



Art. Nr.

RND 610-00325